



CS8130 HEVC and AVC Video Decoder IP

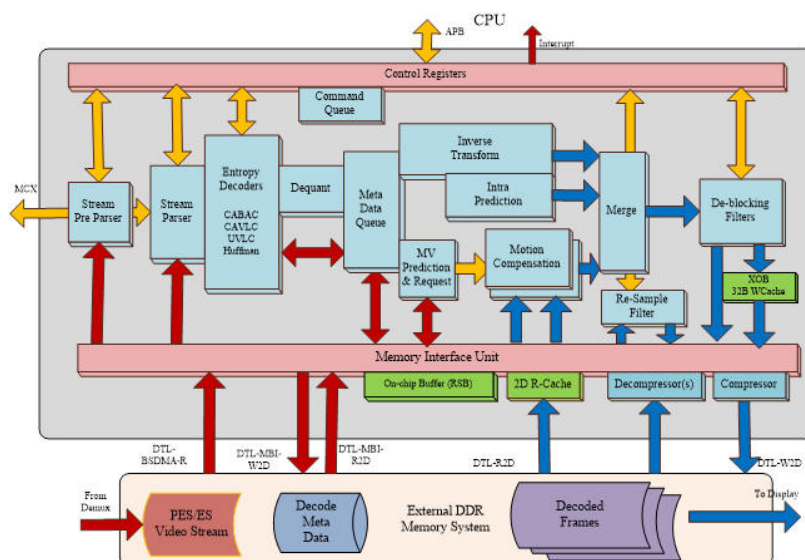
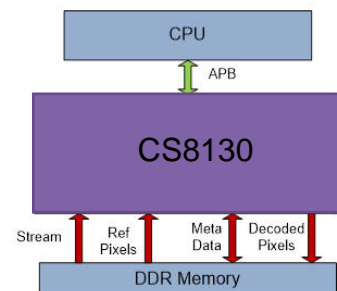
Multi-Format, Multi-Stream – Silicon Proven – UHD/4K – Video Decoder

- Mature, multi-format, multi-stream video decoder
- Silicon proven in multiple STB and DTV chipsets
- Hardware decoder paired with a RISC controller to perform video decode
- Decodes HEVC/H.265 4Kp60 and AVC/H.264 video streams

Formats Supported	Features
<ul style="list-style-type: none"> • HEVC/H.265 MP@L5.1 (4KP60) • H.264 AVC CBP,MP,HP up to L4.2 	<ul style="list-style-type: none"> • Multi-stream & Multi-format • PES or ES stream input • High Latency Tolerance (CPU & Memory) • Low CPU load • Low Memory Bandwidth • Robust Error Resilience controlled by Firmware • Mature IP Silicon proven in multiple mass production STB and DTV SoCs down to 28nm • Production Verified Firmware • Extensively verified with a large library of third party test streams.

Operation

- CS8130 operates under direction of firmware
- Firmware pre-decodes headers and banks configuration commands
- Low CPU load allows CPU to run other hardware blocks in the system
- For multi-stream decoding, switching between streams occurs at frame boundaries



CS8130 Block Diagram

Deliverables

- Bit accurate C models
- Verilog RTL and production firmware
- Synthesis scripts
- Self-checking test environment
- Datasheet and user manual

+44 28 95 609 600

info@amphionsemi.com

www.amphionsemi.com