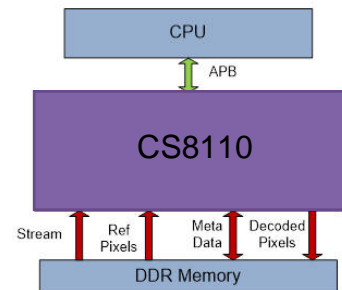


Production Proven – AVC/H.264 – Video Decoder

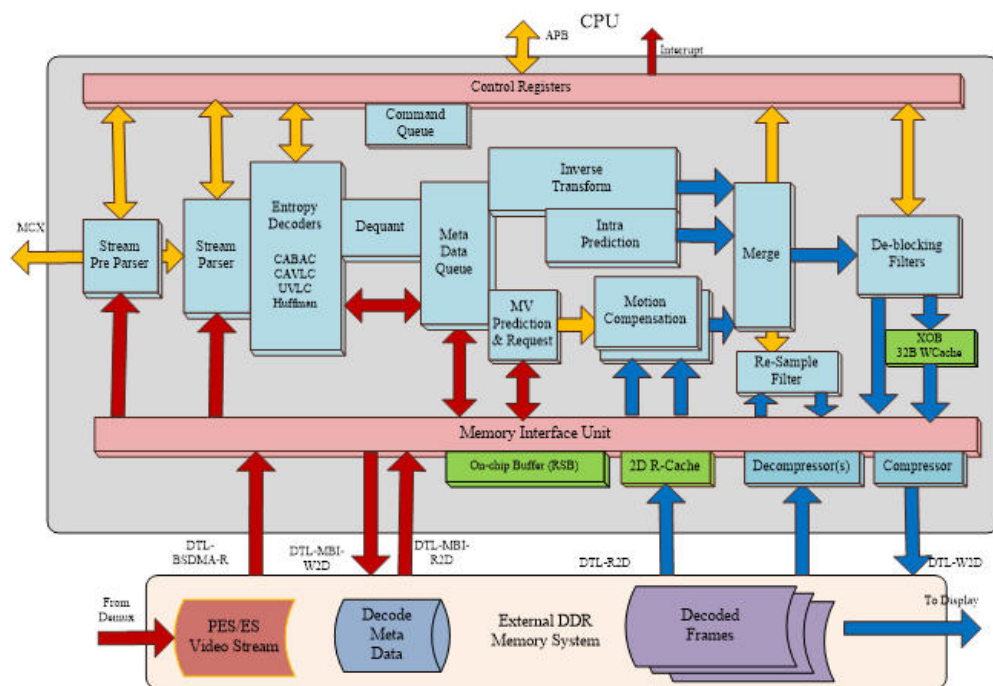
- Mature video decoder
- Silicon proven in multiple STB and DTV chipsets
- Hardware decoder paired with a RISC controller to perform video decode

Features
<ul style="list-style-type: none"> • AVC/H.264 CBP, MP, HP up to @L4.2 • PES or ES stream input • High Latency Tolerance (CPU & Memory) • Low CPU load • Low Memory Bandwidth • Robust Error Resilience controlled by Firmware • Mature IP Silicon proven in multiple mass production STB and DTV SoCs down to 28nm • Production Verified Firmware • Extensively verified with a large library of third party test streams.



Operation

- CS8110 operates under direction of firmware
- Firmware pre-decodes headers and banks configuration commands
- Low CPU load allows CPU to run other hardware blocks in the system



CS8110 Block Diagram

Deliverables

- Bit accurate C models
- Verilog RTL and production firmware
- Synthesis scripts
- Self-checking test environment
- Datasheet and user manual

+44 28 95 609 600

info@amphionsemi.com

www.amphionsemi.com